

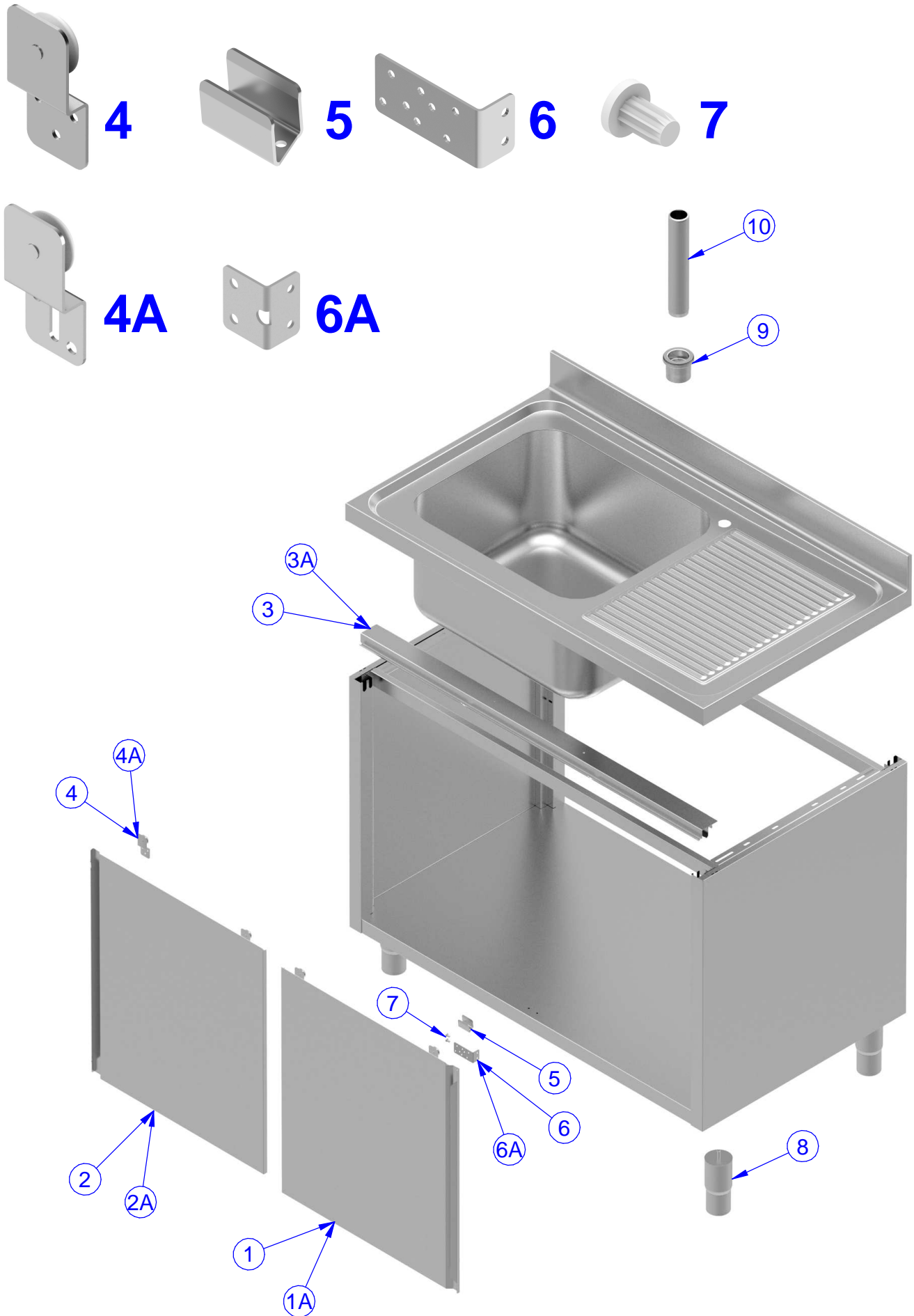
**LAVATOIO ARMADIATO  
CUPBOARD SINK UNIT**

PNC	MODEL	L = mm	H = mm	REF	PNC	MODEL	L = mm	H = mm	REF
132818	MLA1216DXN	1200	900	a	132916	ML1S1217RN	1200	900	f
132819	MLA1216SXN	1200	900	b	132917	ML1S1217LN	1200	900	g
132820	MLA1225PN	1200	900	c	132918	ML2S1217N	1200	900	h
132821	MLA1826DXN	1800	900	d	132919	ML2S1817RN	1800	900	i
132822	MLA1826SXN	1800	900	e	132920	ML2S1817LN	1800	900	j
133249	MLA1416DXPN	1400	900	k					
133250	MLA1416SXP	1400	900	l					
133251	MLA1426PN	1400	900	m					
133252	MLA2026DXPN	2000	900	n					
133253	MLA2026SXP	2000	900	o					

Pag.	Descrizione	Description
1	Indice	Index
2	Disegni	Drawings
3	Lista ricambi	Spare parts list

**Brand / Marchio:** STD - EB

LAVATOIO ARMADIATO  
CUPBOARD SINK UNIT



# LAVATOIO ARMADIATO CUPBOARD SINK UNIT

POS	( x ) Valido dal Seriale 908xxx To be used from S/N 908xxx	COD	DESCRIZIONE	DESCRIPTION	Alias code	NOTES/REF.
1		OPE995	Porta scorrevole destra 1200	Right sliding door 1200	21400A046	a, b, c
1A	x				2140AA046	
1A	x		Porta scorrevole destra 1400	Right sliding door 1400	2140AA024	k,l,m
1		OPEA47	Porta scorrevole destra 1800	Right sliding door 1800	21400A048	d, e
1A	x				2140AA048	
1A	x		Porta scorrevole destra 2000	Right sliding door 2000	2140AA056	n,o
1		OPE977	Porta scorrevole destra 1200 EB	Right sliding door 1200 EB	21400A088	f, g, h
1A	x				2140AA088	
1		OPE980	Porta scorrevole destra 1800 EB	Right sliding door 1800 EB	21400A091	i, j
1A	x				2140AA091	
2		OPE996	Porta scorrevole sinistra 1200	Left sliding door 1200	21400A045	a, b, c
2A	x				2140AA045	
2A	x		Porta scorrevole sinistra 1400	Left sliding door 1400	2140AA025	k,l,m
2		OPEB08	Porta scorrevole sinistra 1800	Left sliding door 1800	21400A049	d, e
2A	x				2140AA049	
2A	x		Porta scorrevole sinistra 2000	Left sliding door 2000	2140AA057	n,o
2		OPE984	Porta scorrevole sinistra 1200 EB	Left sliding door 1200 EB	21400A089	f, g, h
2A	x				2140AA089	
2		OPE987	Porta scorrevole sinistra 1800 EB	Left sliding door 1800 EB	21400A090	i, j
2A	x				2140AA090	
3		OPEA87	Guida porta scorrevole 1200	Guida porta scorrevole 1200	21400A047	a,b,c,f,g,h
3A	x				2140AA047	
3A	x		Guida porta scorrevole 1400	Guida porta scorrevole 1400	2140AA023	k,l,m
3		OPEA90	Guida porta scorrevole 1800	Guida porta scorrevole 1800	21400A051	d,e,i,j
3A	x				2140AA051	
3A	x		Guida porta scorrevole 2000	Guida porta scorrevole 2000	2140AA055	n,o
4		OPEA43	Carrello porta scorrevole	Carrello porta scorrevole	21400A008	a,b,c,d,e,f,g,h,i,j k,l,m,n,o
4A	x				2140AA008	
5		OPEA45	Pattino porte scorrevoli	Pattino porte scorrevoli	20400A021	a,b,c,d,e,f,g,h,i,j,k,l,m,n,o
6		OPEA46	Freno porta scorrevole	Freno porta scorrevole	20400A018	a,b,c,d,e,f,g,h,i,j k,l,m,n,o
6A	x				2040AA018	
7		OPEA51	Batti porta Ø4	Batti porta Ø4	254000208	a,b,c,d,e,f,g,h,i,j,k,l,m,n,o
8		OPEA92	Piede regolabile	Piede regolabile	254000203	a,b,c,d,e,f,g,h,i,j,k,l,m,n,o
9		OPEA80	Piletta 1"1/12	Piletta 1"1/12	100100016	f,g,h,i,j
9		OPEB29	Piletta 2"	Piletta 2"	100100159	a,b,c,d,e,k,l,m,n,o
10		OPE952	Troppo pieno 230	Troppo pieno 230	100100012	f,g,h,i,j
10		OPEA29	Troppo pieno 280	Troppo pieno 280	100100013	a,b,c,d,e,k,l,m,n,o